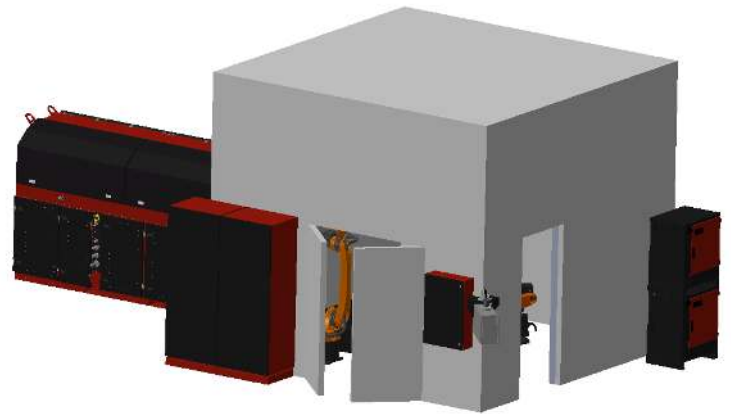
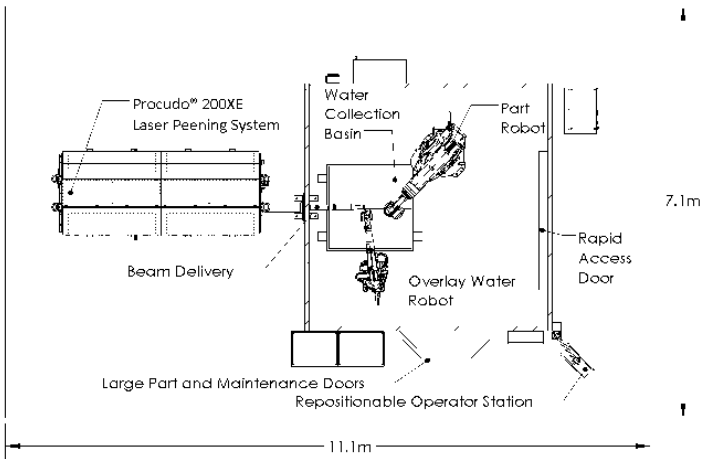




Laser Peening Solutions for Flexible Manufacturing

The Procudo® Flexible LSP Cell is the industrial solution for combatting fatigue challenges across a variety of industries, component sizes and shapes. Available with the Procudo® 200 LSP System and supported by robotic part manipulation, overlay management, integrated safety, and process control, it provides the industry’s highest LSP productivity. This system is configured specifically for LSP job shops and mixed mode production environments where a high variability of parts to be processed exists. Higher component volumes can also be supported with tailored part handling solutions while maintaining the inherent flexibility of this industrial Laser Peening solution.



Material	Compressive Stress at Surface	Depth of Compressive Stress (200 W)	Throughput (200 W)
Steel (4000 Series)	-710 MPa	2.5 mm	23.4 mm ² /sec
Titanium (Ti-6Al4V)	-1300 MPa	2.1 mm	51.5 mm ² /sec
Aluminum (7000 Series)	-400 MPa	3.4 mm	230.3 mm ² /sec

Standard Features	Utilities	Configurable Features
Spot size adjustable on target 1-6 mm	The Procudo® Airfoil LSP Cell operates on a wide range of three-phase power commonly found in industrial facilities across the world. Compressed air and overlay water supply are the only other utilities required to install a system.	Robot capacity (180 kg standard)
Robotic part manipulation		Part handling
Integrated safety systems		Overlay water recycling and corrosion inhibitor
Overlay water management		Compressed air systems
LSP process control		Chilled water systems
Complete Process Monitoring		IoT integration